



---

## Display

### 5K Retina display

27-inch (diagonal) 5K Retina display

5120-by-2880 resolution at 218 pixels per inch

600 nits brightness

Support for 1 billion colors

Wide color (P3)

True Tone technology

### Configurable with:

Nano-texture glass

---

## Reference Modes

### Available reference modes:

Apple Display (P3-600 nits)

HDTV Video (BT.709-BT.1886)

NTSC Video (BT.601 SMPTE-C)

PAL and SECAM Video (BT.601 EBU)

Digital Cinema (P3-DCI)

Digital Cinema (P3-D65)

Design and Print (P3-D50)

Photography (P3-D65)

Internet and Web (sRGB)

---

## Camera

12MP Ultra Wide camera with 122° field of view  
f/2.4 aperture  
Center Stage

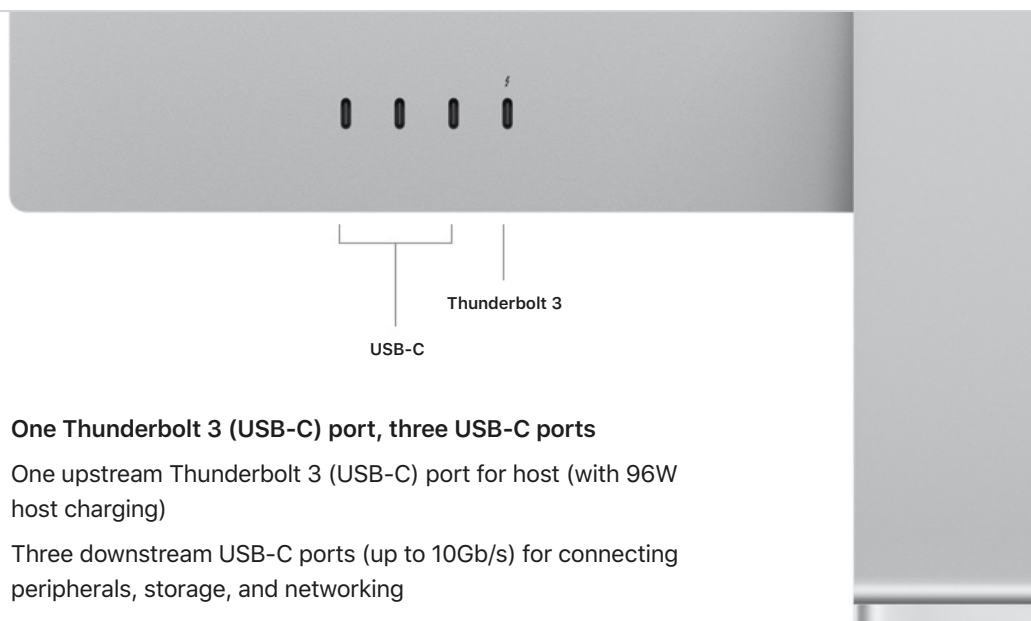
---

## Audio

High-fidelity six-speaker system with force-cancelling woofers  
Wide stereo sound  
Support for Spatial Audio when playing music or video with Dolby Atmos  
Studio-quality three-mic array with high signal-to-noise ratio and directional beamforming  
Support for "Hey Siri"

---

## Connections



## Stand

### Tilt-adjustable stand

Tilt: -5° to +25°

### Configurable with:

Tilt- and height-adjustable stand

Tilt: -5° to +25°

Height adjustment: total of 105 mm

VESA mount adapter

Compatible with 100 x 100 mm VESA stand or mount

Orientation: landscape or portrait

---

## Size and Weight

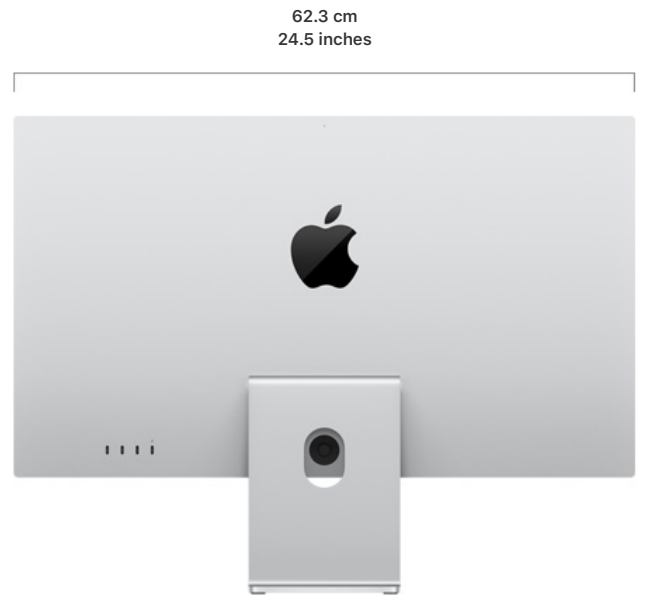
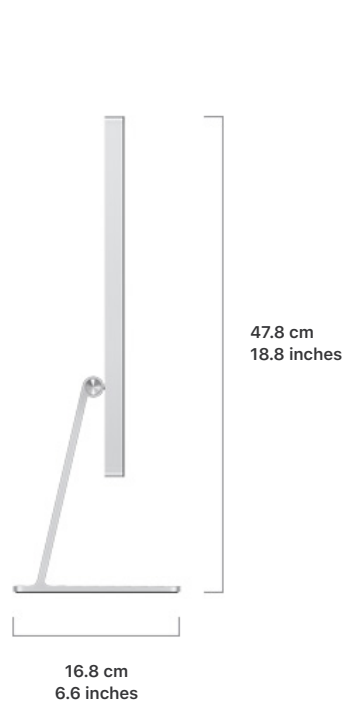
Studio Display with tilt-adjustable stand

**Height:** 47.8 cm (18.8 inches)

**Depth:** 16.8 cm (6.6 inches)

**Width:** 62.3 cm (24.5 inches)

**Weight:** 6.3 kg (13.9 pounds)<sup>1</sup>

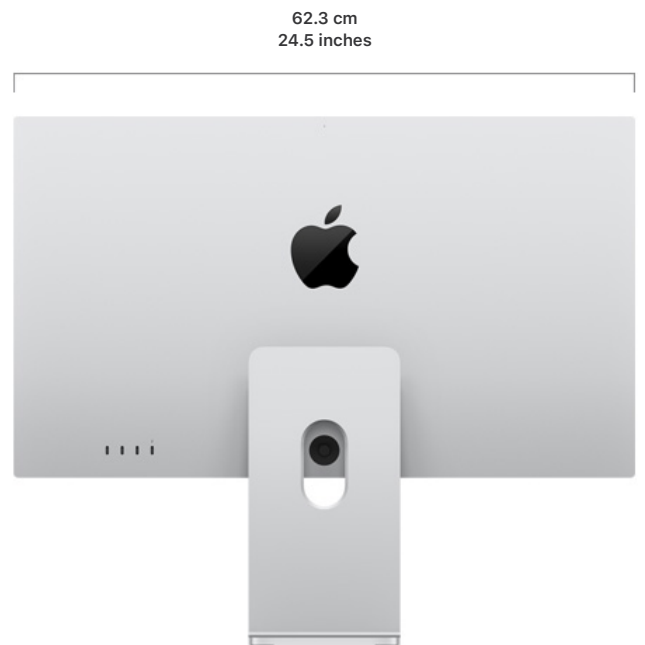


### Studio Display with tilt- and height-adjustable stand

**Height (bottom position):** 47.9 cm (18.8 inches) **Width:** 62.3 cm(24.5 inches)

**Height (top position):** 58.3 cm (23.0 inches) **Weight:** 7.7 kg (16.9 pounds)<sup>1</sup>

**Depth:** 20.7 cm (8.1 inches)





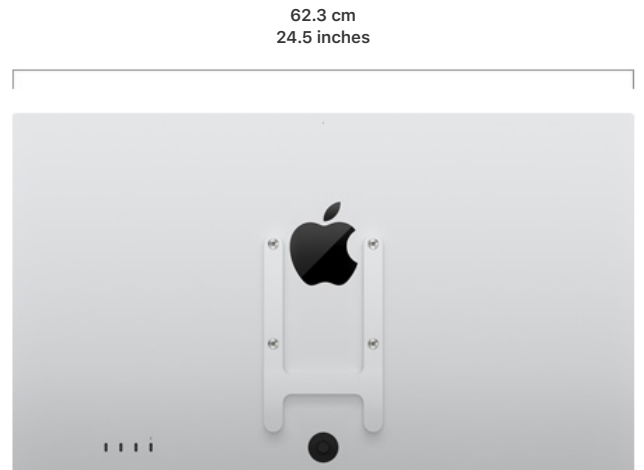
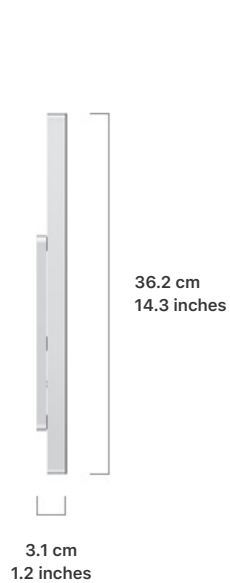
#### Studio Display with VESA mount adapter

**Height:** 36.2 cm (14.3 inches)

**Width:** 62.3 cm (24.5 inches)

**Depth:** 3.1 cm (1.2 inches)

**Weight:** 5.5 kg (12.1 pounds)<sup>1</sup>



---

## Compatibility

Studio Display is compatible with the following Mac models running macOS Monterey 12.3 or later:

Mac Studio (2022)

16-inch MacBook Pro (2019 or later)

14-inch MacBook Pro (2021)

13-inch MacBook Pro (2016 or later)

15-inch MacBook Pro (2016 or later)  
MacBook Air (2018 or later)  
Mac mini (2018 or later)  
Mac Pro (2019 or later)  
24-inch iMac (2021)  
27-inch iMac (2017 or later)  
21.5-inch iMac (2017 or later)  
iMac Pro (2017)

**Studio Display is compatible with the following iPad models running iPadOS 15.4 or later:<sup>2</sup>**

iPad Pro 12.9-inch (3rd generation or later)  
iPad Pro 11-inch  
iPad Air (5th generation)

---

## In the Box

Studio Display  
Thunderbolt cable (1 m)



---

## Electrical and Operating Requirements

**Line voltage:** 100–240V AC  
**Frequency:** 50Hz to 60Hz, single phase  
**Operating temperature:** 10° to 35° C (50° to 95° F)  
**Relative humidity:** 5% to 90% noncondensing  
**Maximum altitude:** tested up to 5000 meters (16,400 feet)

---

## Limited Warranty and Service

Your Studio Display comes with 90 days of complimentary technical support and a one-year limited warranty. Purchase AppleCare+ for Apple Display to extend your coverage to three years from your AppleCare+ purchase date and add up to two incidents of accidental damage protection every 12 months,

each subject to a service fee of HK\$799 for screen damage or external enclosure damage, or HK\$2,299 for other repairable accidental damage.